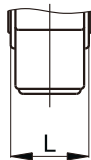
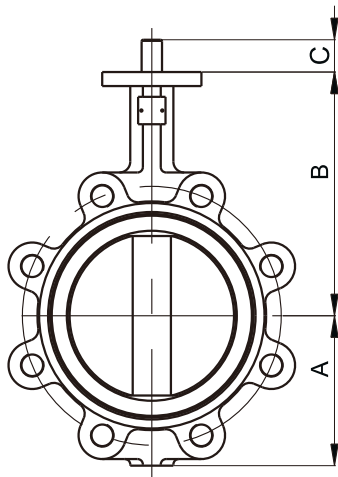


Fig. 2502



Valve Standard :

Comply with ISO 5752/BS 5155 /
BS EN 593/MSS SP-67/API 609

General Applications :

- Chemically corrosive media
- Purification plants
- Pharmaceutical Industry
- Adhesives, Paper Industry, Fuel Transport
- Paint manufacture and processing
- Food Industry

Pressure Temperature Ratings

Working pressure	10bar / 150psi
Testing Pressure	Shell:15bar / 225psi Seal:11bar / 165psi
Working Temperature	-20°C to 110°C EPDM backed -10°C to 80°C NBR backed

Material Specification

Part	Material	ASTM
Body	Cast Iron	A126 Class B
	Ductile Iron	A536 Gr. 65-45-12
	Carbon Steel	A216 WCB
	Stainless Steel	A351 CF8M / CF8
Disc	Bronze	B148 C95400
	Stainless Steel 304	A351 CF-8
	Stainless steel 316	A351 CF-8M
Shaft	Stainless Steel 410	A276 S 410 00
	Stainless Steel 316	A276 S 316 00
Seat	PTFE	
O-Ring	Fluorcarbon Caoutchouc	VITON

Dimensions

Size	mm	40	50	65	80	100	125	150	200
	inch	1-1/2	2	2-1/2	3	4	5	6	8
A		68	80	89	95	114	127	139	175
B		110	161	175	181	200	213	226	260
C		24	30	30	30	30	30	30	34
L		33	42	45	45	51	55	55	60

Size	mm	250	300	350	400	450	500	600	-
	inch	10	12	14	16	18	20	24	-
A		203	242	267	316	334	370	468	-
B		292	337	368	400	422	480	562	-
C		34	34	40	52	52	64	70	-
L		68	78	78	102	114	127	154	-