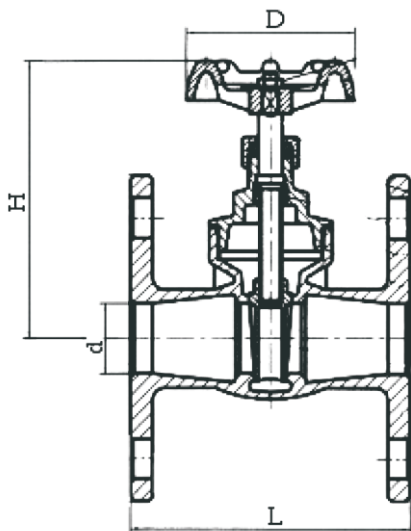


## CLASS 125

Brass Gate Valve (Flanged)

Fig. 3104



### Specification

Screwed-In bonnet • Solid Wedge Disc  
 Non-Rising Stem • Integral Seat • Asbestos Free  
 Threaded to BS 21 (ISO7) / ASME B1.20.1  
 End Connection Flanged BS4504  
 Size Range: 15mm(1/2")~50mm(2")

### Pressure Ratings

Working Pressure	200 psi (13.8 bar) WOG Non-Shock 125 psi (8.6 bar) Saturated Steam
Testing Pressure	Shell: 300 psi (20.7 bar) Hydrostatic Seat: 220 psi (15.1 bar) Hydrostatic 80 psi (5.5 bar) Air

### Material List

Part Name	Material	ASTM	BS
Body	Brass	B124 C38800	2874 CZ122
Bonnet	Brass	B124 C38800	2874 CZ122
Disc	Brass	B124 C38800	2874 CZ122
Stem	Brass	B124 C38800	2874 CZ122
Packing Nut	Brass	B124 C38800	2874 CZ122
Packing	PTFE		
Stem Bush	Brass	B124 C38800	2874 CZ122
Handwheel	Cast Iron	A48 No.45	1452 Gr.260

### Dimension

DN	25	32	40	50	65	80	100
d	25	32	38	45	56	68	90
L	88	94	106	117	132	150	174
H	95	110	124	138	170	198	242
D	60	72	80	110	130	178	200