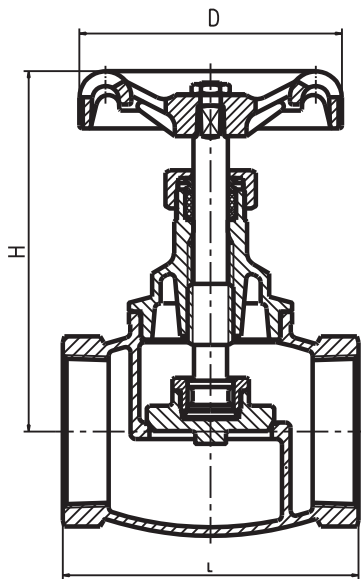


CLASS 150

Bronze Globe Valve (Threaded)

Fig. 6352



Specification

MSS SP-80
 Screwed-In Bonnet • Swivel Disc
 Rising Stem • Asbestos Free
 Threaded to BS 21 (ISO7) / ASME B1.20.1
 Size Range: 15mm(1/2")~50mm(2")

Pressure Ratings

Working Pressure	300 psi (20.7 bar) WOG Non-Shock 150 psi (10.3 bar) Saturated Steam
Testing Pressure	Shell: 450 psi (31 bar) Hydrostatic Seat: 330 psi (22.7bar) Hydrostatic 80 psi (5.5 bar) Air
Suitable Media	Water, Oil, Gas

Material List

Part Name	Material	ASTM	BS
Body	Bronze (Gunmetal)	B62 C83600	1400 LG2
Bonnet	Bronze (Gunmetal)	B62 C83600	1400 LG2
Disc	Bronze (Gunmetal)	B62 C83600	1400 LG2
Stem	Brass Rod	B124 C38800	2874 CZ122
Packing	PTFE		
Packing Nut	Brass Rod	B124 C38800	2874 CZ122
Gland	Brass Rod	B124 C38800	2874 CZ122
Handwheel	Cast Iron	A48 No.35	1452 Gr.260

Dimension

DN	mm	15	20	25	32	40	50
	Inch	1/2	3/4	1	1-1/4	1-1/2	2
L		52	63	76	84	98	116
H		70	82	92	108	120	140
D		60	65	70	78	92	103