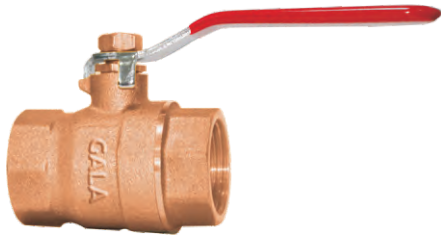


TYPE 600

Bronze Ball Valve (Threaded)

Fig. 1251

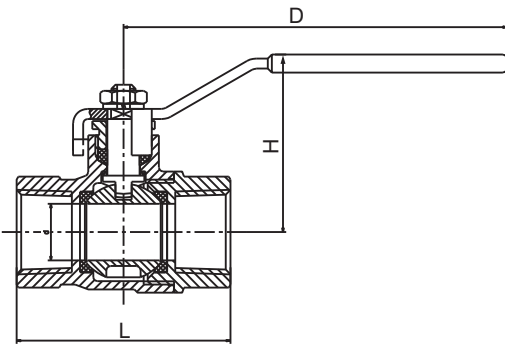


Specification

MSS SP-110.
 Screwed Body Cap • Full Bore
 Blow-out Proof Stem • PTFE Seat
 Threaded to BS 21 (ISO7) / ASME B1.20.1
 Size Range: 15mm(1/2")~100mm(4")

Pressure Ratings

Working Pressure	600 psi (41.3 bar) WOG Non-Shock 150 psi (10.3 bar) Saturated Steam
Testing Pressure	Shell: 900 psi (62 bar) Hydrostatic Seat: 660 psi (45.5 bar) Hydrostatic 80 psi (5.5 bar) Air
Suitable Media	Water, Oil, Gas



Material List

Part Name	Material	ASTM	BS
Body	Bronze (Gunmetal)	B62 C83600	1400 LG2
Cap	Bronze (Gunmetal)	B62 C83600	1400 LG2
Ball	Brass+Chrome Plated	B124 C38800	2874 CZ122
Seat	PTFE		
Stem	Brass	B124 C38800	2874 CZ122
O-Ring	NBR		
Gland	Brass	B16 C36000	2874 CZ121
Handle	Steel (Chrome Plated)	A709 36	4360 40B

Dimension

DN	mm	15	20	25	32	40	50	65	80	100
	Inch	1/2	3/4	1	1-1/4	1-1/2	2	2-1/2	3	4
L		53	61	71	85	92	114	135	149	174
H		44	51	55	65	70	83	121	133	158
D		95	110	110	140	140	160	225	277	277